

USB 2.0 High-Speed (480 Mbps) and Audio Switches with Negative Signal Capability and 1.8-V Logic Compatibility

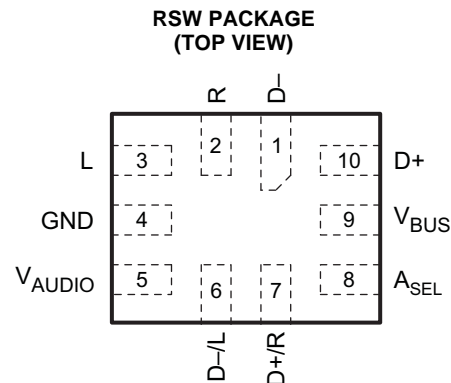
Check for Samples: [TS5USBA224](#)

FEATURES

- **High-Speed USB Switch:**
 - 4 Ω $R_{\text{DS(on)}}$ Typical
 - 12.5 pF C_{ON} Typical
 - 650-MHz Bandwidth (–3 dB)
- **Audio Switch:**
 - 3 Ω $R_{\text{DS(on)}}$ Typical
 - Negative Rail Capability
 - Low THD: <0.05%
 - Internal Shunt Resistors for Click-and-Pop Reduction
 - Powered From V_{AUDIO} (2.7V to 5.5V)
- **1.8-V Compatible Control Input (A_{SEL} and V_{BUS}) Threshold**
- **I_{OFF} Supports Partial Powerdown Mode**
- **ESD Performance Tested Per JESD 22**
 - 2000-V Human-Body Model (A114-B, Class II)
 - 1000-V Charged-Device Model (C101)
 - 200-V Machine Model (A115-A)

APPLICATIONS

- Cellular Phones
- Personal Digital Assistants (PDAs)
- Portable Instrumentation
- Digital Still Cameras
- Portable Navigation Devices



DESCRIPTION

The TS5USBA224 is a double-pole, double throw (DPDT) multiplexer that includes a low-distortion audio switch and a USB 2.0 High-Speed (480Mbps) switch in the same package. This configuration allows the system designer to use a common connector for audio and USB data. The audio switch is designed to allow audio signals to swing below ground which makes this common connector configuration possible.

The TS5USBA224 is powered up using V_{AUDIO} . When $A_{\text{SEL}}=\text{High}$, the audio path is selected regardless of the logic level at V_{BUS} . If $A_{\text{SEL}}=\text{Low}$ and $V_{\text{BUS}}=\text{High}$, the USB path is selected. Otherwise if $A_{\text{SEL}}=\text{Low}$ and $V_{\text{BUS}}=\text{Low}$, the audio path is selected.

The TS5USBA224 also features shunt resistors on the audio path to reduce clicks and pops that may be heard when the audio switches are selected.

ORDERING INFORMATION

T_A	PACKAGE ⁽¹⁾ ⁽²⁾		ORDERABLE PART NUMBER	TOP-SIDE MARKING
–40°C to 85°C	QFN 0.4-MM PITCH – RSW (Pb-Free)	Tape and reel	TS5USBA224RSWR	A5R

(1) Package drawings, thermal data, and symbolization are available at www.ti.com/packaging.

(2) For the most current package and ordering information, see the Package Option Addendum at the end of this document, or see the TI website at www.ti.com.



Please be aware that an important notice concerning availability, standard warranty, and use in critical applications of Texas Instruments semiconductor products and disclaimers thereto appears at the end of this data sheet.



These devices have limited built-in ESD protection. The leads should be shorted together or the device placed in conductive foam during storage or handling to prevent electrostatic damage to the MOS gates.

SUMMARY OF TYPICAL CHARACTERISTICS

	USB PATH	AUDIO PATH
Number of switches	2	2
ON-state resistance (r_{on})	4 Ω	3 Ω
ON-state resistance match (Δr_{on})	< 0.3 Ω	< 0.3 Ω
ON-state resistance flatness ($r_{on(flat)}$)	N/A	1.5 Ω
Turn-on/turn-off time (t_{on}/t_{off})	< 2 μ s	< 4 μ s
Bandwidth (BW)	650 MHz	N/A
OFF isolation (O_{ISO})	-22 dB	-83 dB
Crosstalk (X_{TALK})	-31 dB	-83 dB
Total harmonic distortion (THD)	N/A	0.05%

PIN DESCRIPTION TABLE

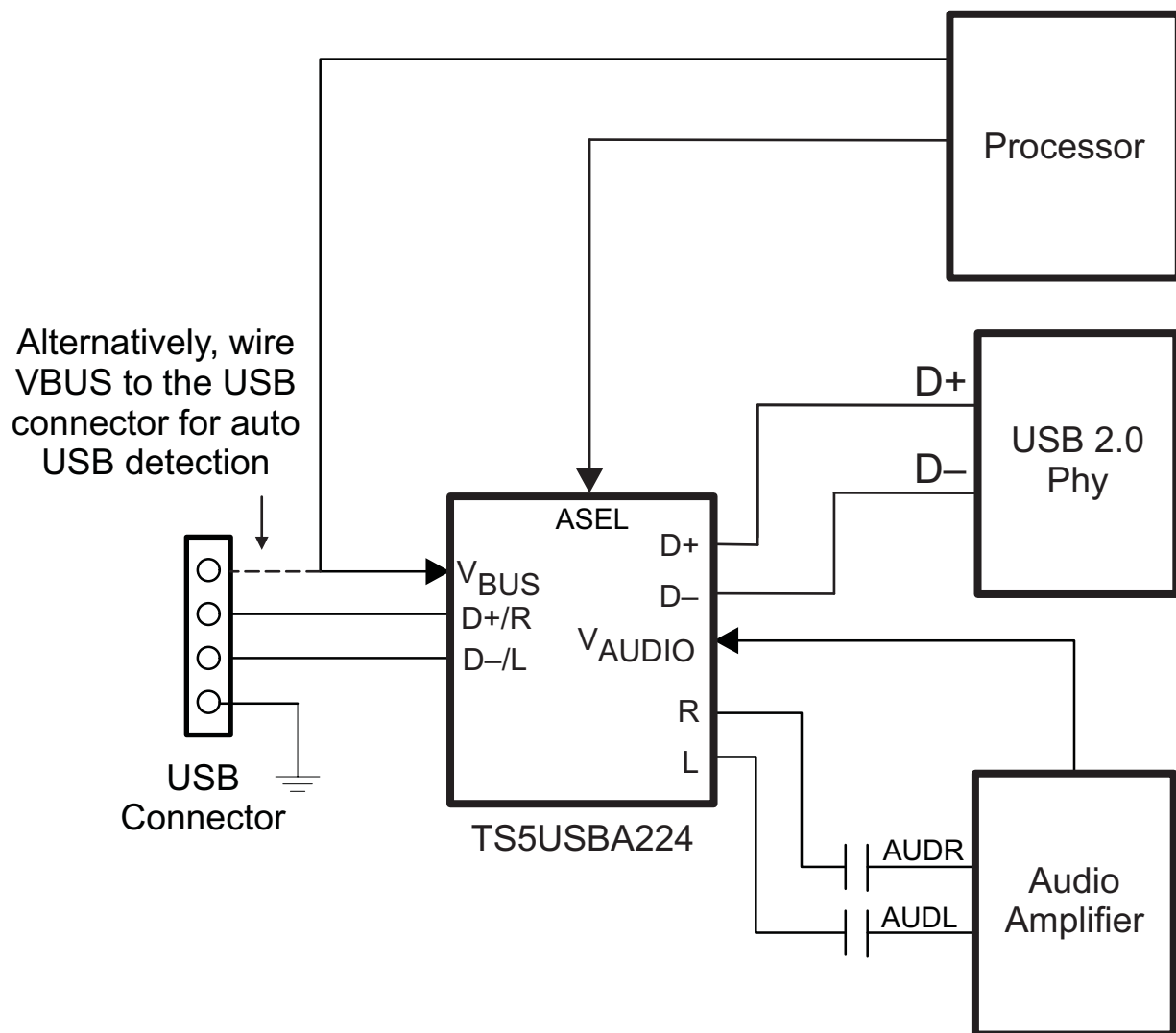
PIN			DESCRIPTION
NO.	NAME	TYPE	
1	D-	I/O	USB Data (Differential -)
2	R	I/O	Right Channel Audio
3	L	I/O	Left Channel Audio
4	GND	Ground	Ground
5	V _{AUDIO}	Power	Supply Voltage
6	D-/L	I/O	USB/Audio Common Connector
7	D+/R	I/O	USB/Audio Common Connector
8	A _{SEL}	Input	Control Input for Audio Path
9	V _{BUS}	Input	Control Input for USB Path
10	D+	I/O	USB Data (Differential +)

FUNCTION TABLE

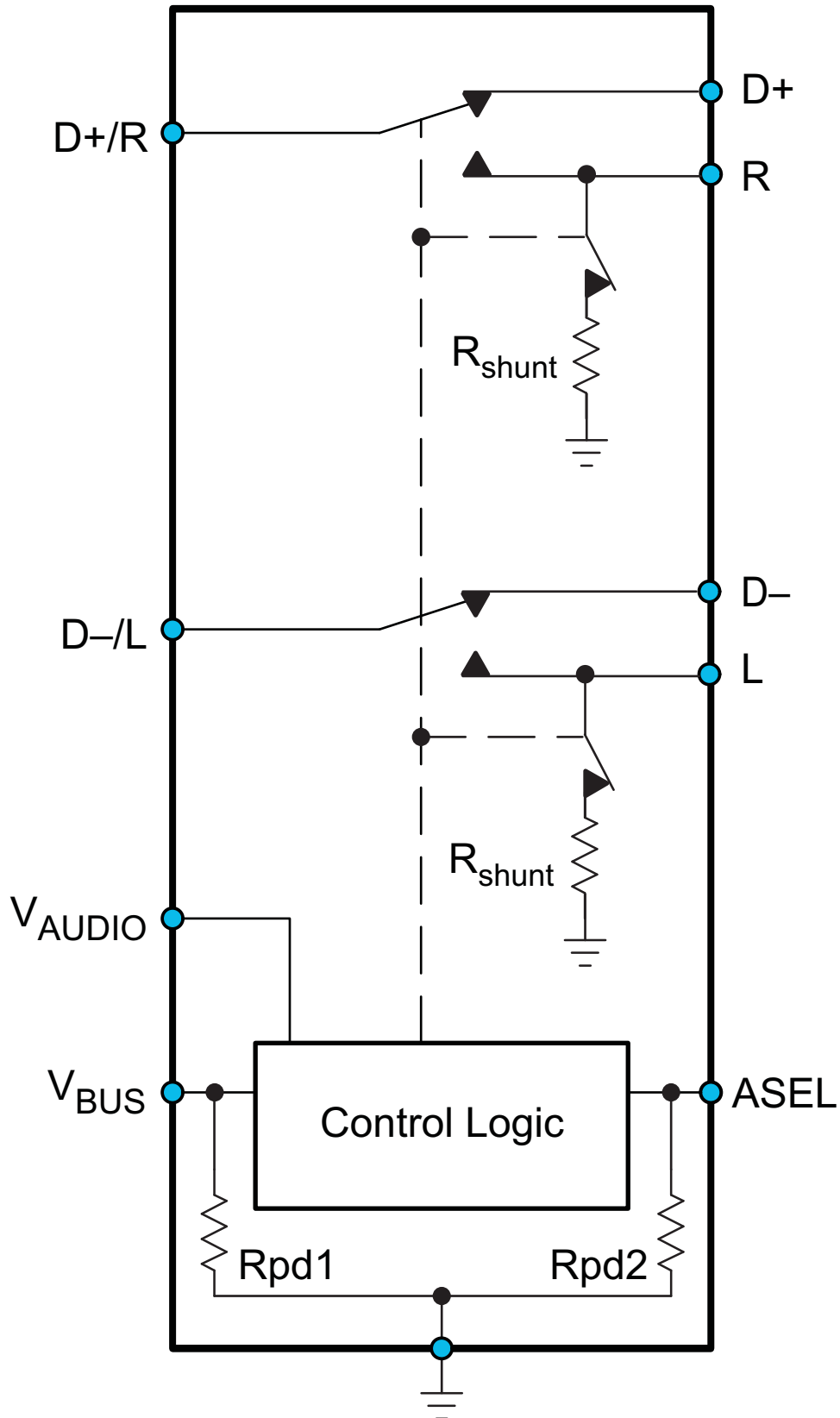
ASEL	V _{AUDIO}	V _{BUS}	L,R	D+, D-
L	L	L	OFF	OFF
L	L	H	OFF	OFF
L	H	L	ON	OFF
L	H	H	OFF ⁽¹⁾	ON
H	L	L	OFF	OFF
H	L	H	OFF	OFF
H	H	L	ON	OFF
H	H	H	ON	OFF

(1) 100Ω shunt resistors are enabled in this state.

TYPICAL APPLICATION BLOCK DIAGRAM



SWITCH BLOCK DIAGRAM



ABSOLUTE MAXIMUM RATINGS⁽¹⁾⁽²⁾

over operating free-air temperature range (unless otherwise noted)

		MIN	MAX	UNIT
V _{AUDIO}	Supply voltage range ⁽³⁾	-0.5	6.5	V
V _{D+} V _{D-}	Analog voltage Range ⁽³⁾	-0.5	6.5	V
V _R V _L		V _{AUDIO} - 6.5	V _{AUDIO} + 0.5	V
I _K	Analog port diode current	V _{D+} , V _{D-} < 0		mA
I _{D+} , I _{D-} I _R , I _L	ON-state switch current	V _{D+} , V _{D-} = 0 to V _{AUDIO} , V _R , V _L V _{D+/R} , V _{D-/L} = V _{AUDIO} - 5.5 V to V _{AUDIO}		mA
I _{D+/R} I _{D-/L}	ON-state peak switch current ⁽⁴⁾	-200	200	
V _I	Digital input voltage range	-0.5	6.5	V
I _{IK}	Digital logic input clamp current ⁽³⁾	V _I < 0		mA
I _{AUDIO}	Continuous current through V _{AUDIO}		100	mA
I _{GND}	Continuous current through GND	-100		mA
T _{stg}	Storage temperature range	-65	150	°C

- (1) Stresses beyond those listed under "absolute maximum ratings" may cause permanent damage to the device. These are stress ratings only, and functional operation of the device at these or any other conditions beyond those indicated under "recommended operating conditions" is not implied. Exposure to absolute-maximum-rated conditions for extended periods may affect device reliability.
- (2) The algebraic convention, whereby the most negative value is a minimum and the most positive value is a maximum.
- (3) All voltages are with respect to ground, unless otherwise specified.
- (4) Pulse at 1-ms duration <10% duty cycle.

PACKAGE THERMAL IMPEDANCE⁽¹⁾

over operating free-air temperature range (unless otherwise noted)

PARAMETER	TEST CONDITIONS	TYP	UNIT
θ _{JA}	Package thermal impedance RSW package	175	°C/W

- (1) The package thermal impedance is calculated in accordance with JESD 51-7.

ELECTRICAL CHARACTERISTICS

T_A = -40°C to 85°C, typical values are at V_{AUDIO} = 3.3 V, T_A = 25°C (unless otherwise noted)

PARAMETER	TEST CONDITIONS	MIN	TYP	MAX	UNIT
USB SWITCH					
V _{D+} , V _{D-}	Analog voltage range	0		5.5	V
r _{on}	ON-state resistance	V _{AUDIO} = 3 V, V _{BUS} = 5 V, V _{ASEL} = 0 V, V _{D+/D-} = 0 V, 0.4 V, I _{ON} = -8 mA		4	7 Ω
Δr _{on}	ON-state resistance match between channels	V _{AUDIO} = 3 V, V _{BUS} = 5 V, V _{ASEL} = 0 V, V _{D+/D-} = 0 V, 0.4 V, I _{ON} = -8 mA		0.3	Ω
I _{D+(OFF)} I _{D-(OFF)}	D+ ,D- OFF leakage current	V _{AUDIO} = 3.6 V, V _{BUS} = 0 V, V _{ASEL} = 3.6 V, V _{D+} , V _{D-} = 0.3 V, V _{D+/R} , V _{D-/L} = 0.3 V		±50	nA
I _{D+(ON)} I _{D-(ON)}	D+ ,D- ON leakage current	V _{AUDIO} = 3.6 V, V _{BUS} = 5 V, V _{ASEL} = 0 V, V _{D+} , V _{D-} = 0.3 V, V _{D+/R} = Open		±50	nA
AUDIO SWITCH					
V _R , V _L	Analog voltage range	V _{AUDIO} - 5.5	V _{AUDIO}		V
r _{on}	ON-state resistance	V _{AUDIO} = 3 V, V _{BUS} = 0 V, V _{ASEL} = 3 V, V _{L/R} = -2 V, 0 V, 0.7 V, I _{ON} = -26 mA		3	5 Ω
Δr _{on}	ON-state resistance match between channels	V _{AUDIO} = 3 V, V _{BUS} = 0 V, V _{ASEL} = 3 V, V _{L/R} = 0.7 V, I _{ON} = -26 mA		0.3	Ω
r _{on} (flat)	ON-state resistance flatness	V _{AUDIO} = 3 V, V _{BUS} = 0 V, V _{ASEL} = 3 V, V _{L/R} = -2 V, 0 V, 0.7 V, I _{ON} = -26 mA		1.5	2.5 Ω

ELECTRICAL CHARACTERISTICS (continued)

$T_A = -40^{\circ}\text{C}$ to 85°C , typical values are at $V_{\text{AUDIO}} = 3.3\text{ V}$, $T_A = 25^{\circ}\text{C}$ (unless otherwise noted)

PARAMETER		TEST CONDITIONS		MIN	TYP	MAX	UNIT
r_{SHUNT}	Shunt resistance	$V_{\text{AUDIO}} = 3\text{ V}$, $V_{\text{BUS}} = 5\text{ V}$, $V_{\text{ASEL}} = 0\text{ V}$, $V_{\text{L/R}} = 0.7\text{ V}$, $I_{\text{OSHUNT}} = 10\text{ mA}$	Switch OFF		100	200	Ω
$I_{\text{L(OFF)}}$ $I_{\text{R(OFF)}}$	L, R OFF leakage current	$V_{\text{AUDIO}} = 3.6\text{ V}$, $V_{\text{BUS}} = 5\text{ V}$, $V_{\text{ASEL}} = 0\text{ V}$, $V_{\text{R}}, V_{\text{L}} = 0.3\text{ V}$, $V_{\text{AUDIO}-0.3\text{ V}}$, $V_{\text{D+R}}, V_{\text{D-L}} = 0.3\text{ V}$, $V_{\text{AUDIO}-0.3\text{ V}}$	Switch OFF			± 50	nA
$I_{\text{L(ON)}}$ $I_{\text{R(ON)}}$	L, R ON leakage current	$V_{\text{AUDIO}} = 3.6\text{ V}$, $V_{\text{BUS}} = 0\text{ V}$, $V_{\text{ASEL}} = 3.6\text{ V}$, $V_{\text{D+R}}, \text{D-L} = 0.3\text{ V}$, $V_{\text{R}}, V_{\text{L}} = 0.3\text{ V}$, $V_{\text{AUDIO}-0.3\text{ V}}$, $V_{\text{AUDIO}-0.3\text{ V}}$ $V_{\text{D+R}}, V_{\text{D-L}} = \text{Open}$	Switch ON			± 50	nA
DIGITAL CONTROL INPUTS (A_{SEL}, V_{BUS})							
V_{IH}	Input logic high	$V_{\text{AUDIO}} = 2.7\text{ V}$ to 5.5 V		1.2			V
V_{IL}	Input logic low	$V_{\text{AUDIO}} = 2.7\text{ V}$ to 5.5 V				0.5	V
I_{IN}	Input leakage current	$V_{\text{AUDIO}} = 3.6\text{ V}$	$V_{\text{IN}} = 3.6\text{ V}$			± 10	μA
			$V_{\text{IN}} = 0\text{ V}$			± 1	
r_{PD1}	Internal pulldown resistance				3		$\text{M}\Omega$
r_{PD2}	Internal pulldown resistance				5		$\text{M}\Omega$

DYNAMIC CHARACTERISTICS
 $T_A = -40^{\circ}\text{C}$ to 85°C , typical values are at $V_{\text{AUDIO}} = 3.3\text{ V}$, $T_A = 25^{\circ}\text{C}$ (unless otherwise noted)

PARAMETER		TEST CONDITIONS	MIN	TYP	MAX	UNIT
USB SWITCH						
t_{ON}	Turn-on time	$V_{\text{AUDIO}} = 3\text{ V}$, $V_{\text{BUS}} = 0\text{ V}$ to 5 V , $V_{\text{ASEL}} = 0\text{ V}$, $V_{\text{D+R, D-L}} = 1\text{ V}$, Figure 10		2		μs
t_{OFF}	Turn-off time	$V_{\text{AUDIO}} = 3\text{ V}$, $V_{\text{BUS}} = 5\text{ V}$ to 0 V , $V_{\text{ASEL}} = 0\text{ V}$, $V_{\text{D+R, D-L}} = 1\text{ V}$, Figure 10		1		μs
$t_{\text{SK(O)}}$	Channel-to-channel skew	$f = 240\text{ MHz}$, Figure 11		35		ps
$t_{\text{SK(P)}}$	Skew of opposite transitions of same output	$f = t\ 240\text{ MHz}$, Figure 11		25		ps
$C_{\text{D+(OFF)}}$ $C_{\text{D-(OFF)}}$	D+, D-OFF capacitance	$V_{\text{AUDIO}} = 3\text{ V}$, $V_{\text{BUS}} = 0\text{ V}$, $A_{\text{SEL}} = 3\text{ V}$, $f = 240\text{ MHz}$	Switch OFF	2.8		pF
$C_{\text{D+(ON)}}$ $C_{\text{D-(ON)}}$	D+, D- ON capacitance	$V_{\text{AUDIO}} = 3\text{ V}$, $V_{\text{BUS}} = 5\text{ V}$, $A_{\text{SEL}} = 0\text{ V}$, $f = 240\text{ MHz}$	Switch ON	12.5		pF
C_{I}	Digital input capacitance	$V_{\text{AUDIO}} = 3\text{ V}$, $V_{\text{BUS}} = 0\text{ V}$, $A_{\text{SEL}} = 0\text{ V}$, $f = 1\text{ MHz}$		2.2		pF
BW	Bandwidth	$V_{\text{AUDIO}} = 3\text{ V}$, $V_{\text{BUS}} = 5\text{ V}$, $V_{\text{ASEL}} = 0\text{ V}$, Figure 12	Switch ON	650		MHz
O_{ISO}	OFF Isolation	$V_{\text{AUDIO}} = 3\text{ V}$, $V_{\text{BUS}} = 0\text{ V}$, $V_{\text{ASEL}} = 3\text{ V}$, $R_{\text{L}} = 50\ \Omega$, $f = 240\text{ MHz}$, Figure 14	Switch OFF	-22		dB
X_{TALK}	Crosstalk	$V_{\text{AUDIO}} = 3\text{ V}$, $V_{\text{BUS}} = 5\text{ V}$, $V_{\text{ASEL}} = 0\text{ V}$, $R_{\text{L}} = 50\ \Omega$, $f = 240\text{ MHz}$, Figure 13	Switch ON	-31		dB
AUDIO SWITCH						
t_{ON}	Turn-on time	$V_{\text{AUDIO}} = 3\text{ V}$, $V_{\text{BUS}} = 0\text{ V}$ or 5 V , $V_{\text{ASEL}} = 0\text{ V}$ to 3 V , $V_{\text{D+R, D-L}} = 1\text{ V}$, Figure 10		4		μs
t_{OFF}	Turn-off time	$V_{\text{AUDIO}} = 3\text{ V}$, $V_{\text{BUS}} = 0\text{ V}$, $V_{\text{ASEL}} = 3\text{ V}$ to 0 V , $V_{\text{D+R, D-L}} = 1\text{ V}$, Figure 10		1		μs
$C_{\text{L(OFF)}}$ $C_{\text{R(OFF)}}$	L, R OFF capacitance	$V_{\text{AUDIO}} = 3\text{ V}$, $V_{\text{BUS}} = 5\text{ V}$, $V_{\text{ASEL}} = 0\text{ V}$, $f = 20\text{ kHz}$	Switch OFF	4.5		pF
$C_{\text{L(ON)}}$ $C_{\text{R(ON)}}$	L, R ON capacitance	$V_{\text{AUDIO}} = 3\text{ V}$, $V_{\text{BUS}} = 0\text{ V}$, $V_{\text{ASEL}} = 3\text{ V}$, $f = 20\text{ kHz}$	Switch ON	15		pF
O_{ISO}	OFF Isolation	$V_{\text{AUDIO}} = 3\text{ V}$, $V_{\text{BUS}} = 5\text{ V}$, $V_{\text{ASEL}} = 0\text{ V}$, $R_{\text{L}} = 50\ \Omega$, $f = 20\text{ kHz}$, Figure 14	Switch OFF	-83		dB
X_{TALK}	Crosstalk	$V_{\text{AUDIO}} = 3\text{ V}$, $V_{\text{BUS}} = 0\text{ V}$, $V_{\text{ASEL}} = 3\text{ V}$, $R_{\text{L}} = 50\ \Omega$, $f = 20\text{ kHz}$, Figure 13	Switch ON	-83		dB
THD	Total harmonic distortion	$V_{\text{AUDIO}} = 3\text{ V}$, $V_{\text{BUS}} = 0\text{ V}$, $V_{\text{ASEL}} = 3\text{ V}$, $f = 20\text{ Hz}$ to 20 kHz , $R_{\text{L}} = 600\ \Omega$, $V_{\text{IN}} = 2\text{ Vpp}$		0.05		%
SUPPLY						
V_{AUDIO}	Power supply voltage			2.7	5.5	V
I_{AUDIO}	Positive supply current	$V_{\text{AUDIO}} = 3.6\text{ V}$, $V_{\text{BUS}} = 0$ or 5 V , $V_{\text{ASEL}} = 0$ to 3.6 V , $I_{\text{OUT}} = 0$		6	10	μA
I_{OFF}	Power off leakage current	$V_{\text{AUDIO}} = 0\text{ V}$, $V_{\text{D+R, D-L, D+, D-, L, R}} = 0$ to 5.5 V			± 10	μA

TYPICAL CHARACTERISTICS

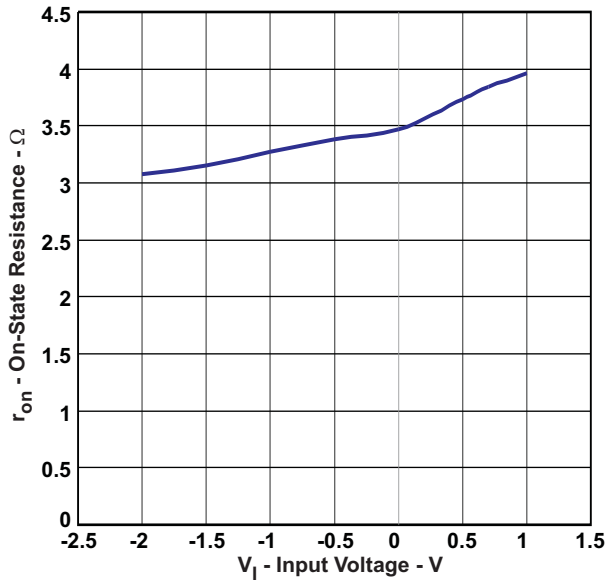


Figure 1. ON Resistance vs V₁ for Audio Switch

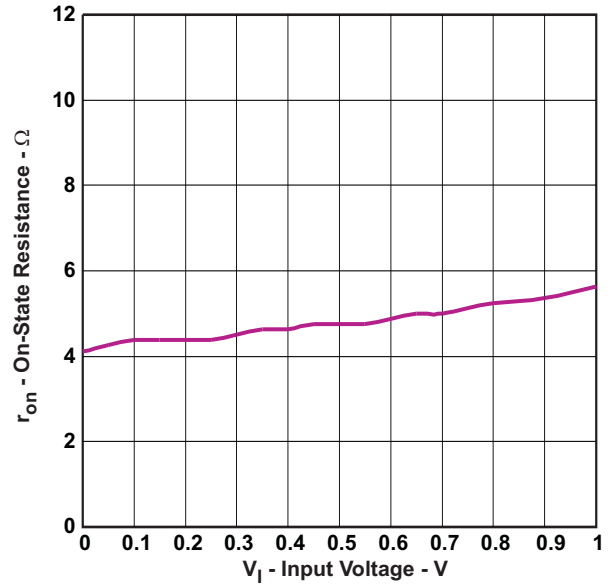


Figure 2. ON Resistance vs V₁ for USB Switch

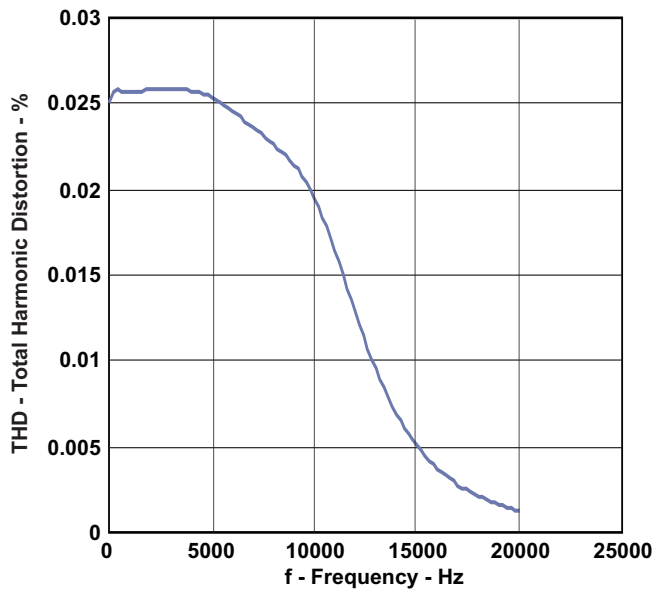


Figure 3. THD vs Frequency for Audio Switch

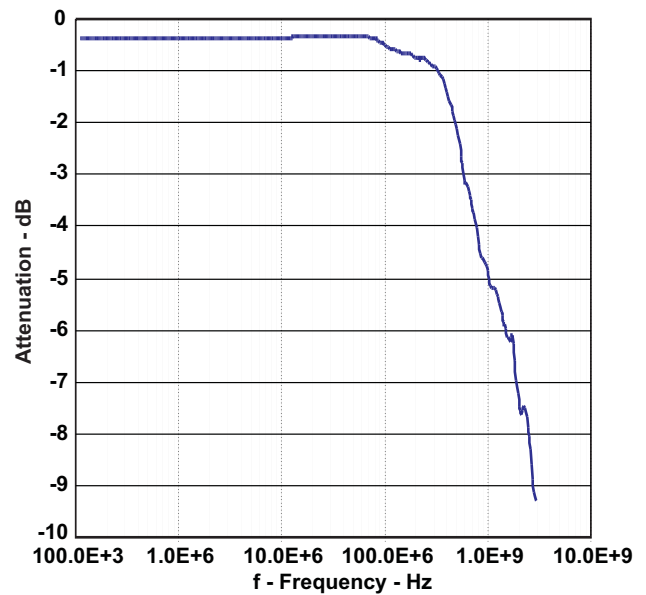


Figure 4. Gain vs Frequency for USB Switch

TYPICAL CHARACTERISTICS (continued)

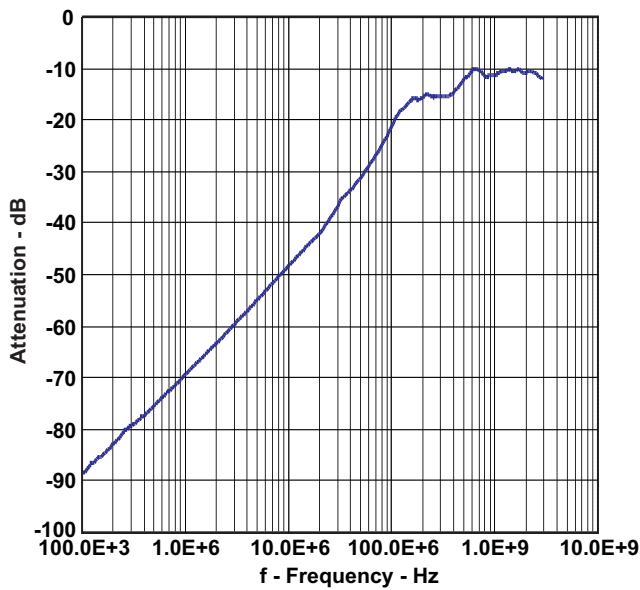


Figure 5. Off Isolation vs Frequency for Audio Switch

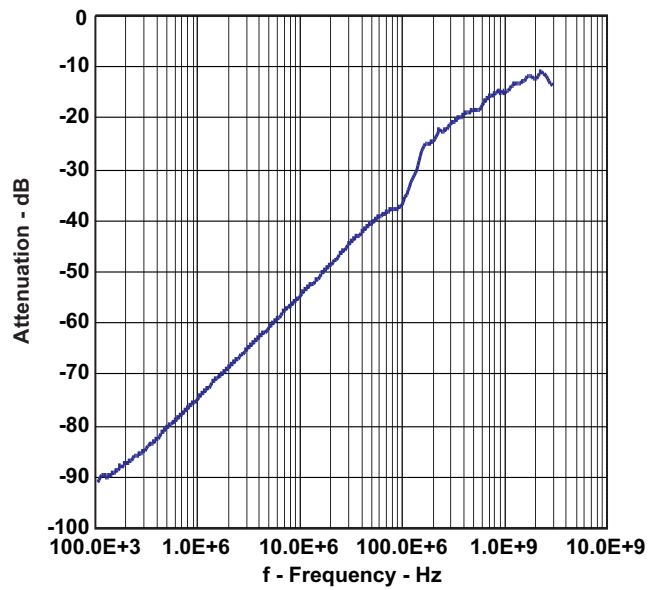


Figure 6. Off Isolation vs Frequency for USB Switch

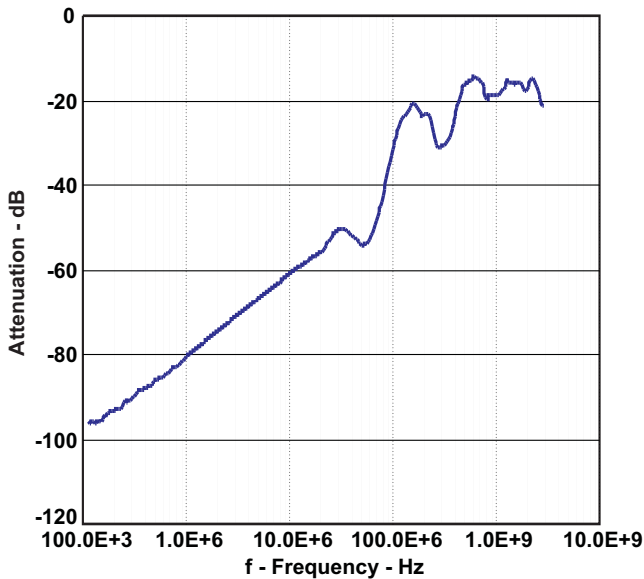


Figure 7. Cross Talk vs Frequency for Audio Switch

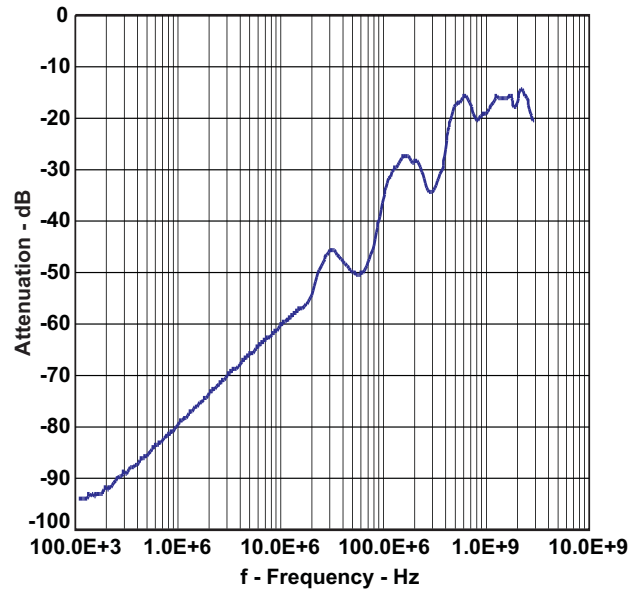


Figure 8. Cross Talk vs Frequency for USB Switch

TYPICAL CHARACTERISTICS (continued)

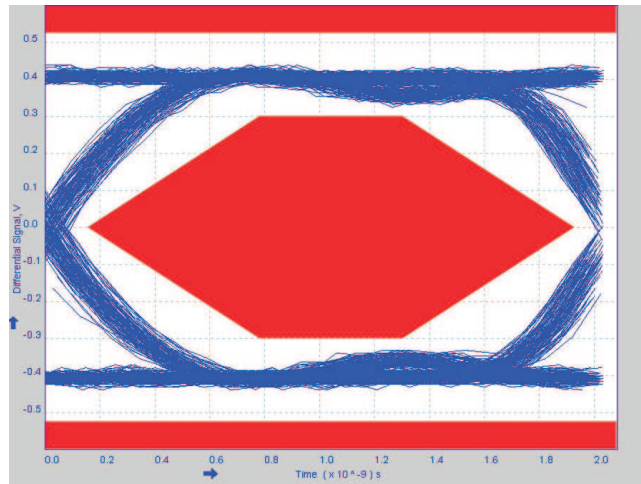
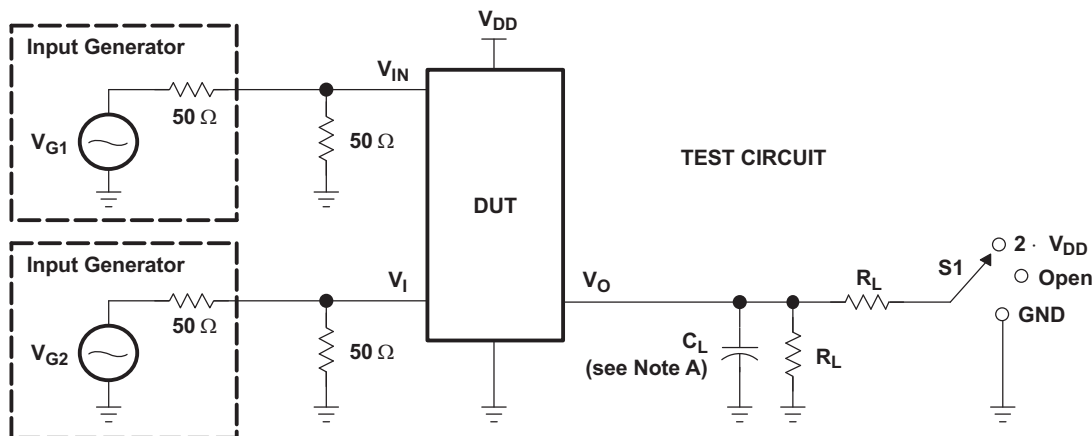
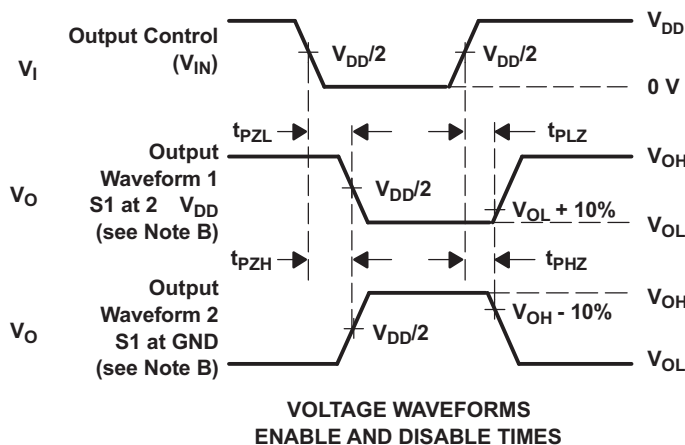


Figure 9. USB 2.0 Eye Pattern for USB Switch

PARAMETER MEASUREMENT INFORMATION
(Enable and Disable Times)



TEST	V _{AUDIO} (V _{DD})	S1	R _L	V _{in}	C _L	V _Δ
t _{PLZ} /t _{PZL}	3.3 V	2 · V _{DD}	200 Ω	GND	10 pF	0.3 V
t _{PHZ} /t _{PZH}	3.3 V	GND	200 Ω	V _{DD}	10 pF	0.3 V

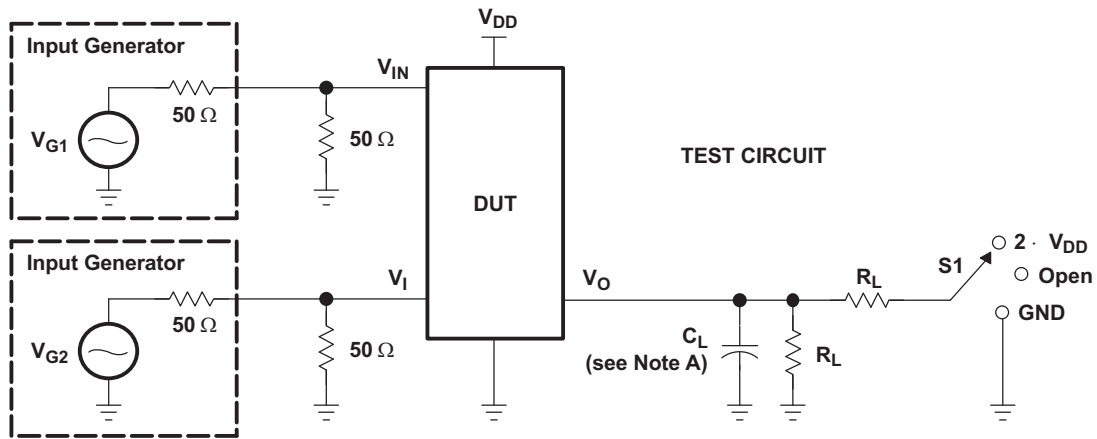


VOLTAGE WAVEFORMS
ENABLE AND DISABLE TIMES

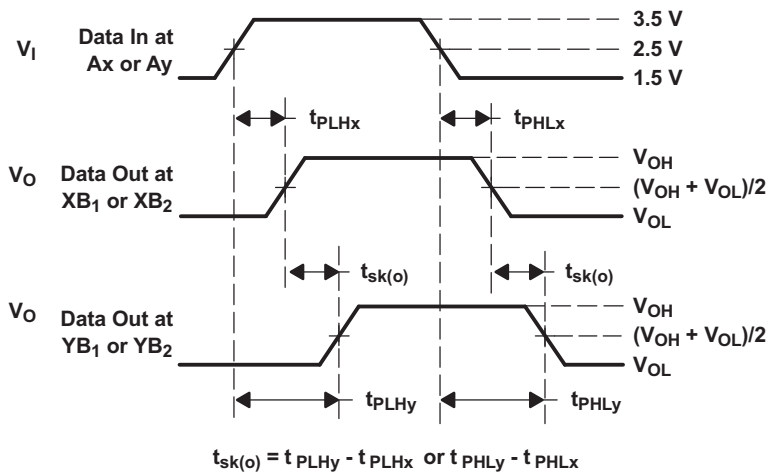
- NOTES: A. C_L includes probe and jig capacitance.
 B. Waveform 1 is for an output with internal conditions such that the output is low except when disabled by the output control. Waveform 2 is for an output with internal conditions such that the output is high, except when disabled by the output control.
 C. All input pulses are supplied by generators having the following characteristics: PRR ≤ 10 MHz, Z_O = 50 Ω, t_r ≤ 2.5 ns, t_f ≤ 2.5 ns.
 D. The outputs are measured one at a time, with one transition per measurement.
 E. t_{PLZ} and t_{PHZ} are the same as t_{dis} or t_{OFF}.
 F. t_{PZL} and t_{PZH} are the same as t_{en} or t_{ON}.

Figure 10. Test Circuit and Voltage Waveforms

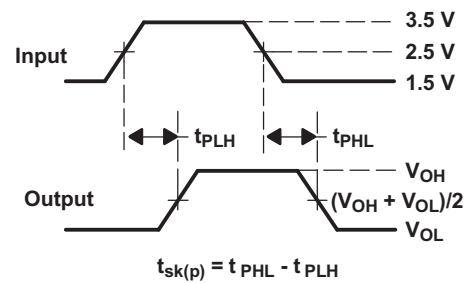
PARAMETER MEASUREMENT INFORMATION (Skew)



TEST	V _{AUDIO} (V _{DD})	S1	R _L	V _{in}	C _L
t _{sk(o)}	3.3 V ± 0.3 V	Open	200 Ω	V _{DD} or GND	10 pF
t _{sk(p)}	3.3 V ± 0.3 V	Open	200 Ω	V _{DD} or GND	10 pF



**VOLTAGE WAVEFORMS
OUTPUT SKEW (t_{sk(o)})**

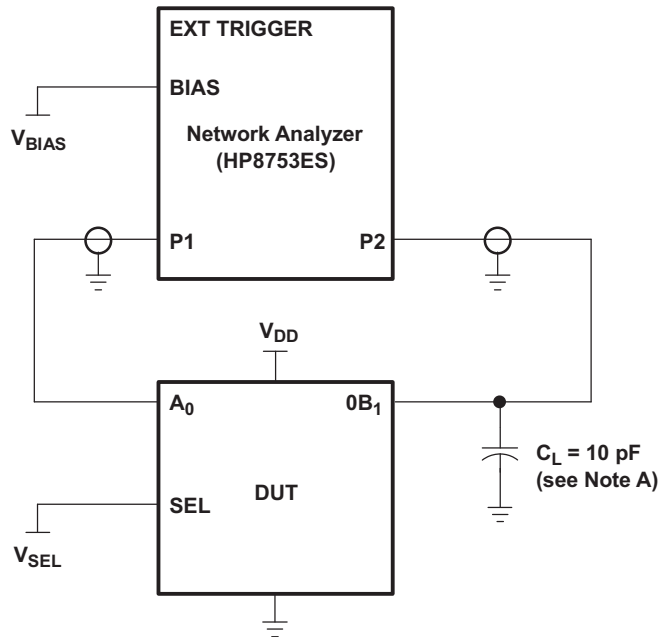


**VOLTAGE WAVEFORMS
PULSE SKEW [t_{sk(p)}]**

- NOTES: A. C_L includes probe and jig capacitance.
 B. Waveform 1 is for an output with internal conditions such that the output is low except when disabled by the output control. Waveform 2 is for an output with internal conditions such that the output is high, except when disabled by the output control.
 C. All input pulses are supplied by generators having the following characteristics: PRR ≤ 10 MHz, Z_O = 50 Ω, t_r ≤ 2.5 ns, t_f ≤ 2.5 ns.
 D. The outputs are measured one at a time, with one transition per measurement.

Figure 11. Test Circuit and Voltage Waveforms

PARAMETER MEASUREMENT INFORMATION



A. C_L includes probe and jig capacitance.

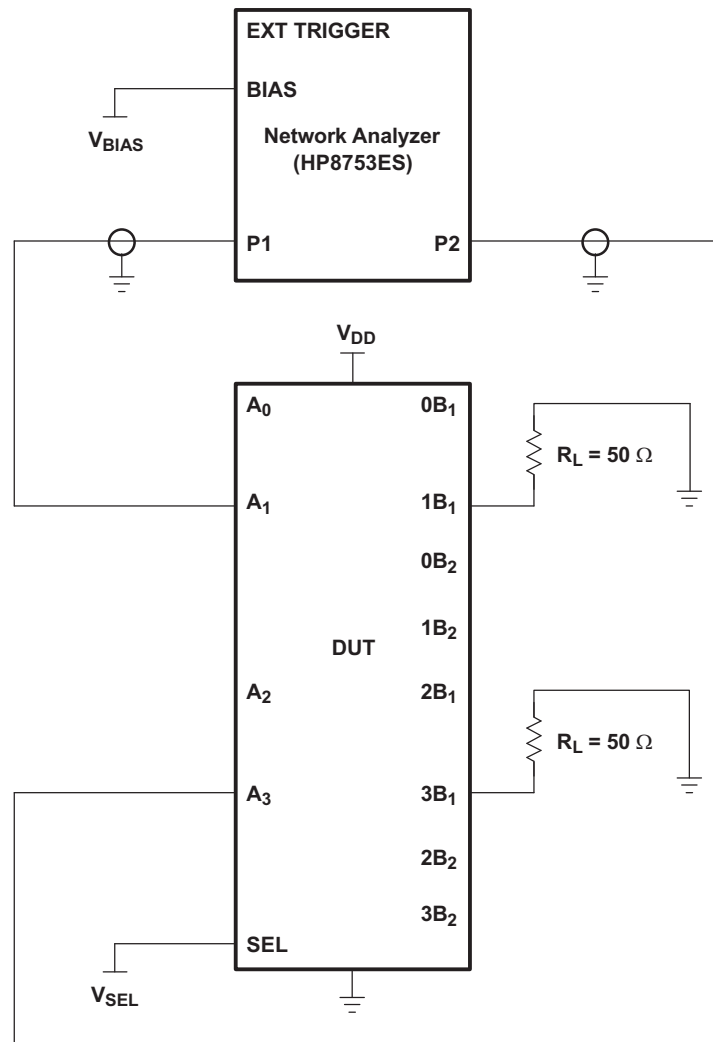
Figure 12. Test Circuit for Frequency Response (BW)

Frequency response is measured at the output of the ON channel. For example, when $V_{SEL} = 0$ and A_0 is the input, the output is measured at $0B_1$. All unused analog I/O ports are left open.

HP8753ES Setup

Average = 4
 RBW = 3 kHz
 $V_{BIAS} = 0.35 \text{ V}$
 ST = 2 s
 P1 = 0 dBm

PARAMETER MEASUREMENT INFORMATION (continued)



- A. C_L includes probe and jig capacitance.
- B. A 50- Ω termination resistor is needed to match the loading of the network analyzer.

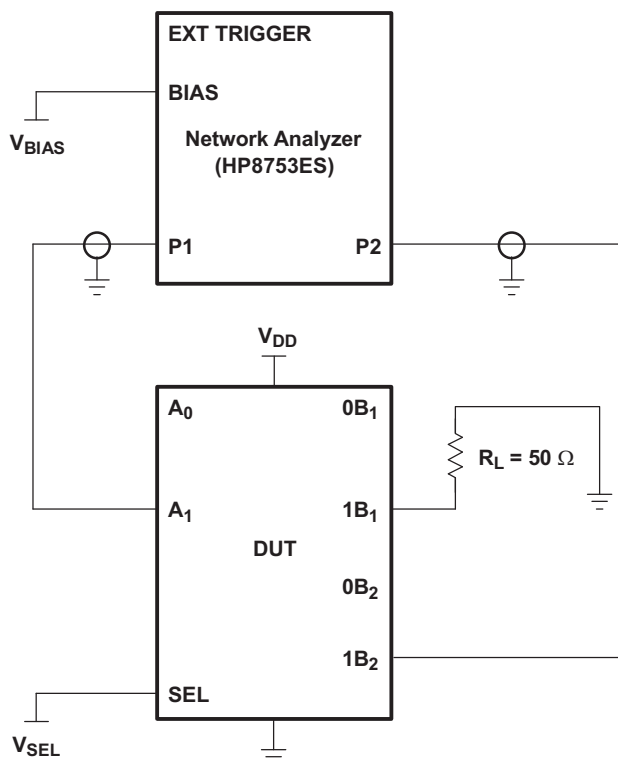
Figure 13. Test Circuit for Crosstalk (X_{TALK})

Crosstalk is measured at the output of the nonadjacent ON channel. For example, when $V_{SEL} = 0$ and A_1 is the input, the output is measured at A_3 . All unused analog input (A) ports are connected to GND, and output (B) ports are left open.

HP8753ES Setup

Average = 4
 RBW = 3 kHz
 $V_{BIAS} = 0.35$ V
 ST = 2 s
 P1 = 0 dBm

PARAMETER MEASUREMENT INFORMATION (continued)



- A. C_L includes probe and jig capacitance.
- B. A 50- Ω termination resistor is needed to match the loading of the network analyzer.

Figure 14. Test Circuit for OFF Isolation (O_{ISO})

OFF isolation is measured at the output of the OFF channel. For example, when $V_{SEL} = GND$ and A_1 is the input, the output is measured at $1B_2$. All unused analog input (A) ports are connected to ground, and output (B) ports are left open.

HP8753ES Setup

Average = 4
 RBW = 3 kHz
 $V_{BIAS} = 0.35 V$
 ST = 2 s
 P1 = 0 dBm

PACKAGING INFORMATION

Orderable Device	Status (1)	Package Type	Package Drawing	Pins	Package Qty	Eco Plan (2)	Lead/Ball Finish (6)	MSL Peak Temp (3)	Op Temp (°C)	Device Marking (4/5)	Samples
TS5USBA224RSWR	ACTIVE	UQFN	RSW	10	3000	Green (RoHS & no Sb/Br)	CU NIPDAU CU NIPDAUAG	Level-1-260C-UNLIM	-40 to 85	(A5R ~ A5V)	Samples

(1) The marketing status values are defined as follows:

ACTIVE: Product device recommended for new designs.

LIFEBUY: TI has announced that the device will be discontinued, and a lifetime-buy period is in effect.

NRND: Not recommended for new designs. Device is in production to support existing customers, but TI does not recommend using this part in a new design.

PREVIEW: Device has been announced but is not in production. Samples may or may not be available.

OBSELETE: TI has discontinued the production of the device.

(2) Eco Plan - The planned eco-friendly classification: Pb-Free (RoHS), Pb-Free (RoHS Exempt), or Green (RoHS & no Sb/Br) - please check <http://www.ti.com/productcontent> for the latest availability information and additional product content details.

TBD: The Pb-Free/Green conversion plan has not been defined.

Pb-Free (RoHS): TI's terms "Lead-Free" or "Pb-Free" mean semiconductor products that are compatible with the current RoHS requirements for all 6 substances, including the requirement that lead not exceed 0.1% by weight in homogeneous materials. Where designed to be soldered at high temperatures, TI Pb-Free products are suitable for use in specified lead-free processes.

Pb-Free (RoHS Exempt): This component has a RoHS exemption for either 1) lead-based flip-chip solder bumps used between the die and package, or 2) lead-based die adhesive used between the die and leadframe. The component is otherwise considered Pb-Free (RoHS compatible) as defined above.

Green (RoHS & no Sb/Br): TI defines "Green" to mean Pb-Free (RoHS compatible), and free of Bromine (Br) and Antimony (Sb) based flame retardants (Br or Sb do not exceed 0.1% by weight in homogeneous material)

(3) MSL, Peak Temp. - The Moisture Sensitivity Level rating according to the JEDEC industry standard classifications, and peak solder temperature.

(4) There may be additional marking, which relates to the logo, the lot trace code information, or the environmental category on the device.

(5) Multiple Device Markings will be inside parentheses. Only one Device Marking contained in parentheses and separated by a "~" will appear on a device. If a line is indented then it is a continuation of the previous line and the two combined represent the entire Device Marking for that device.

(6) Lead/Ball Finish - Orderable Devices may have multiple material finish options. Finish options are separated by a vertical ruled line. Lead/Ball Finish values may wrap to two lines if the finish value exceeds the maximum column width.

Important Information and Disclaimer: The information provided on this page represents TI's knowledge and belief as of the date that it is provided. TI bases its knowledge and belief on information provided by third parties, and makes no representation or warranty as to the accuracy of such information. Efforts are underway to better integrate information from third parties. TI has taken and continues to take reasonable steps to provide representative and accurate information but may not have conducted destructive testing or chemical analysis on incoming materials and chemicals. TI and TI suppliers consider certain information to be proprietary, and thus CAS numbers and other limited information may not be available for release.

In no event shall TI's liability arising out of such information exceed the total purchase price of the TI part(s) at issue in this document sold by TI to Customer on an annual basis.

TAPE AND REEL INFORMATION



QUADRANT ASSIGNMENTS FOR PIN 1 ORIENTATION IN TAPE



*All dimensions are nominal

Device	Package Type	Package Drawing	Pins	SPQ	Reel Diameter (mm)	Reel Width W1 (mm)	A0 (mm)	B0 (mm)	K0 (mm)	P1 (mm)	W (mm)	Pin1 Quadrant
TS5USBA224RSWR	UQFN	RSW	10	3000	180.0	9.5	1.6	2.0	0.8	4.0	8.0	Q1
TS5USBA224RSWR	UQFN	RSW	10	3000	180.0	8.4	1.59	2.09	0.72	4.0	8.0	Q1

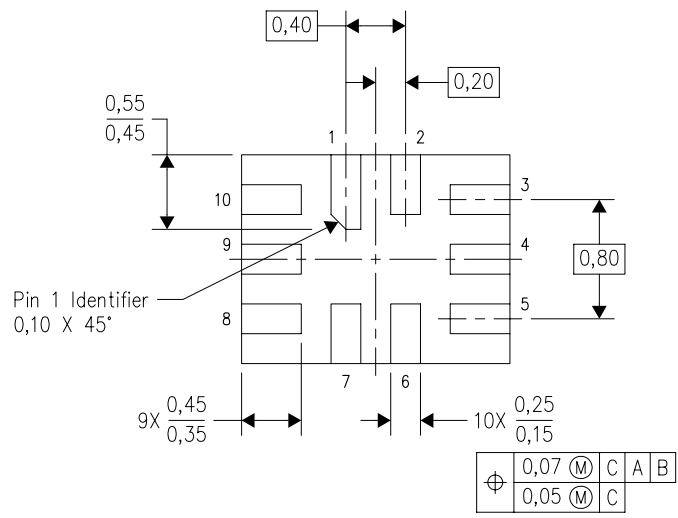
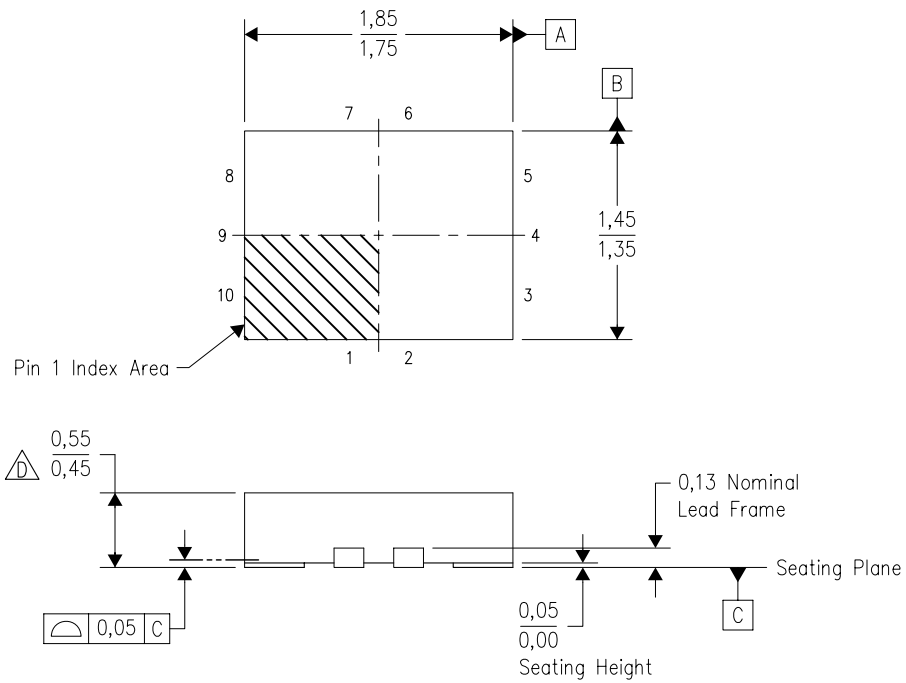
TAPE AND REEL BOX DIMENSIONS


*All dimensions are nominal

Device	Package Type	Package Drawing	Pins	SPQ	Length (mm)	Width (mm)	Height (mm)
TS5USBA224RSWR	UQFN	RSW	10	3000	189.0	185.0	36.0
TS5USBA224RSWR	UQFN	RSW	10	3000	202.0	201.0	28.0


RSW (R-PUQFN-N10)

PLASTIC QUAD FLATPACK NO-LEAD



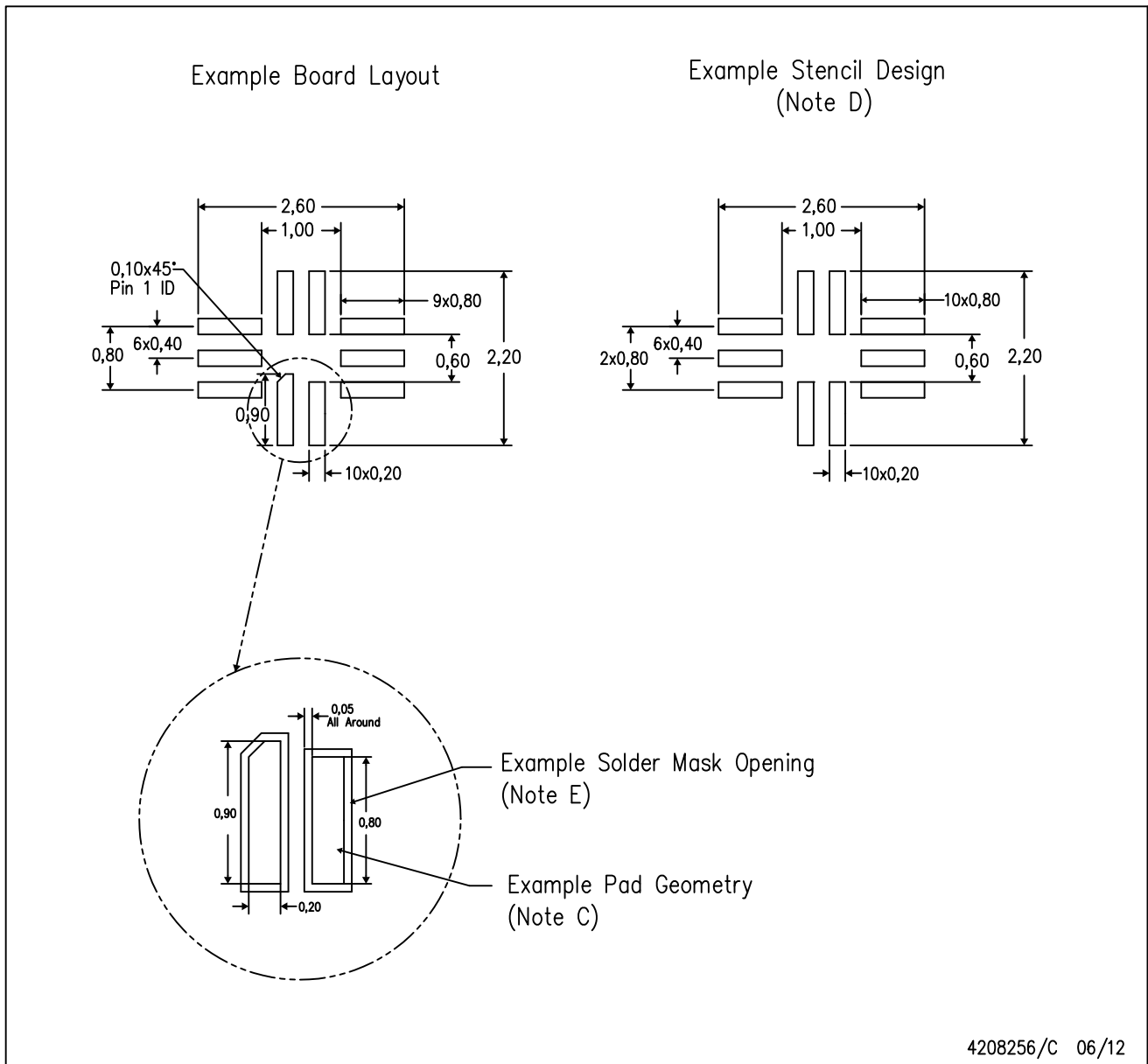
Bottom View

4208097/C 07/2008

- NOTES:
- A. All linear dimensions are in millimeters. Dimensioning and tolerancing per ASME Y14.5M-1994.
 - B. This drawing is subject to change without notice.
 - C. QFN (Quad Flatpack No-lead) package configuration.
 -  This package complies to JEDEC MO-288 variation UDEE, except minimum package height.

RSW (R-PUQFN-N10)

PLASTIC QUAD FLATPACK NO-LEAD



- NOTES:
- All linear dimensions are in millimeters.
 - This drawing is subject to change without notice.
 - Publication IPC-7351 is recommended for alternate designs.
 - Laser cutting apertures with trapezoidal walls and also rounding corners will offer better paste release. Customers should contact their board assembly site for stencil design recommendations. Refer to IPC 7525 for stencil design considerations.
 - Customers should contact their board fabrication site for minimum solder mask web tolerances between signal pads.

IMPORTANT NOTICE

Texas Instruments Incorporated (TI) reserves the right to make corrections, enhancements, improvements and other changes to its semiconductor products and services per JESD46, latest issue, and to discontinue any product or service per JESD48, latest issue. Buyers should obtain the latest relevant information before placing orders and should verify that such information is current and complete.

TI's published terms of sale for semiconductor products (<http://www.ti.com/sc/docs/stdterms.htm>) apply to the sale of packaged integrated circuit products that TI has qualified and released to market. Additional terms may apply to the use or sale of other types of TI products and services.

Reproduction of significant portions of TI information in TI data sheets is permissible only if reproduction is without alteration and is accompanied by all associated warranties, conditions, limitations, and notices. TI is not responsible or liable for such reproduced documentation. Information of third parties may be subject to additional restrictions. Resale of TI products or services with statements different from or beyond the parameters stated by TI for that product or service voids all express and any implied warranties for the associated TI product or service and is an unfair and deceptive business practice. TI is not responsible or liable for any such statements.

Buyers and others who are developing systems that incorporate TI products (collectively, "Designers") understand and agree that Designers remain responsible for using their independent analysis, evaluation and judgment in designing their applications and that Designers have full and exclusive responsibility to assure the safety of Designers' applications and compliance of their applications (and of all TI products used in or for Designers' applications) with all applicable regulations, laws and other applicable requirements. Designer represents that, with respect to their applications, Designer has all the necessary expertise to create and implement safeguards that (1) anticipate dangerous consequences of failures, (2) monitor failures and their consequences, and (3) lessen the likelihood of failures that might cause harm and take appropriate actions. Designer agrees that prior to using or distributing any applications that include TI products, Designer will thoroughly test such applications and the functionality of such TI products as used in such applications.

TI's provision of technical, application or other design advice, quality characterization, reliability data or other services or information, including, but not limited to, reference designs and materials relating to evaluation modules, (collectively, "TI Resources") are intended to assist designers who are developing applications that incorporate TI products; by downloading, accessing or using TI Resources in any way, Designer (individually or, if Designer is acting on behalf of a company, Designer's company) agrees to use any particular TI Resource solely for this purpose and subject to the terms of this Notice.

TI's provision of TI Resources does not expand or otherwise alter TI's applicable published warranties or warranty disclaimers for TI products, and no additional obligations or liabilities arise from TI providing such TI Resources. TI reserves the right to make corrections, enhancements, improvements and other changes to its TI Resources. TI has not conducted any testing other than that specifically described in the published documentation for a particular TI Resource.

Designer is authorized to use, copy and modify any individual TI Resource only in connection with the development of applications that include the TI product(s) identified in such TI Resource. NO OTHER LICENSE, EXPRESS OR IMPLIED, BY ESTOPPEL OR OTHERWISE TO ANY OTHER TI INTELLECTUAL PROPERTY RIGHT, AND NO LICENSE TO ANY TECHNOLOGY OR INTELLECTUAL PROPERTY RIGHT OF TI OR ANY THIRD PARTY IS GRANTED HEREIN, including but not limited to any patent right, copyright, mask work right, or other intellectual property right relating to any combination, machine, or process in which TI products or services are used. Information regarding or referencing third-party products or services does not constitute a license to use such products or services, or a warranty or endorsement thereof. Use of TI Resources may require a license from a third party under the patents or other intellectual property of the third party, or a license from TI under the patents or other intellectual property of TI.

TI RESOURCES ARE PROVIDED "AS IS" AND WITH ALL FAULTS. TI DISCLAIMS ALL OTHER WARRANTIES OR REPRESENTATIONS, EXPRESS OR IMPLIED, REGARDING RESOURCES OR USE THEREOF, INCLUDING BUT NOT LIMITED TO ACCURACY OR COMPLETENESS, TITLE, ANY EPIDEMIC FAILURE WARRANTY AND ANY IMPLIED WARRANTIES OF MERCHANTABILITY, FITNESS FOR A PARTICULAR PURPOSE, AND NON-INFRINGEMENT OF ANY THIRD PARTY INTELLECTUAL PROPERTY RIGHTS. TI SHALL NOT BE LIABLE FOR AND SHALL NOT DEFEND OR INDEMNIFY DESIGNER AGAINST ANY CLAIM, INCLUDING BUT NOT LIMITED TO ANY INFRINGEMENT CLAIM THAT RELATES TO OR IS BASED ON ANY COMBINATION OF PRODUCTS EVEN IF DESCRIBED IN TI RESOURCES OR OTHERWISE. IN NO EVENT SHALL TI BE LIABLE FOR ANY ACTUAL, DIRECT, SPECIAL, COLLATERAL, INDIRECT, PUNITIVE, INCIDENTAL, CONSEQUENTIAL OR EXEMPLARY DAMAGES IN CONNECTION WITH OR ARISING OUT OF TI RESOURCES OR USE THEREOF, AND REGARDLESS OF WHETHER TI HAS BEEN ADVISED OF THE POSSIBILITY OF SUCH DAMAGES.

Unless TI has explicitly designated an individual product as meeting the requirements of a particular industry standard (e.g., ISO/TS 16949 and ISO 26262), TI is not responsible for any failure to meet such industry standard requirements.

Where TI specifically promotes products as facilitating functional safety or as compliant with industry functional safety standards, such products are intended to help enable customers to design and create their own applications that meet applicable functional safety standards and requirements. Using products in an application does not by itself establish any safety features in the application. Designers must ensure compliance with safety-related requirements and standards applicable to their applications. Designer may not use any TI products in life-critical medical equipment unless authorized officers of the parties have executed a special contract specifically governing such use. Life-critical medical equipment is medical equipment where failure of such equipment would cause serious bodily injury or death (e.g., life support, pacemakers, defibrillators, heart pumps, neurostimulators, and implantables). Such equipment includes, without limitation, all medical devices identified by the U.S. Food and Drug Administration as Class III devices and equivalent classifications outside the U.S.

TI may expressly designate certain products as completing a particular qualification (e.g., Q100, Military Grade, or Enhanced Product). Designers agree that it has the necessary expertise to select the product with the appropriate qualification designation for their applications and that proper product selection is at Designers' own risk. Designers are solely responsible for compliance with all legal and regulatory requirements in connection with such selection.

Designer will fully indemnify TI and its representatives against any damages, costs, losses, and/or liabilities arising out of Designer's non-compliance with the terms and provisions of this Notice.