

Negative Output Flyback Pulse Width Modulator

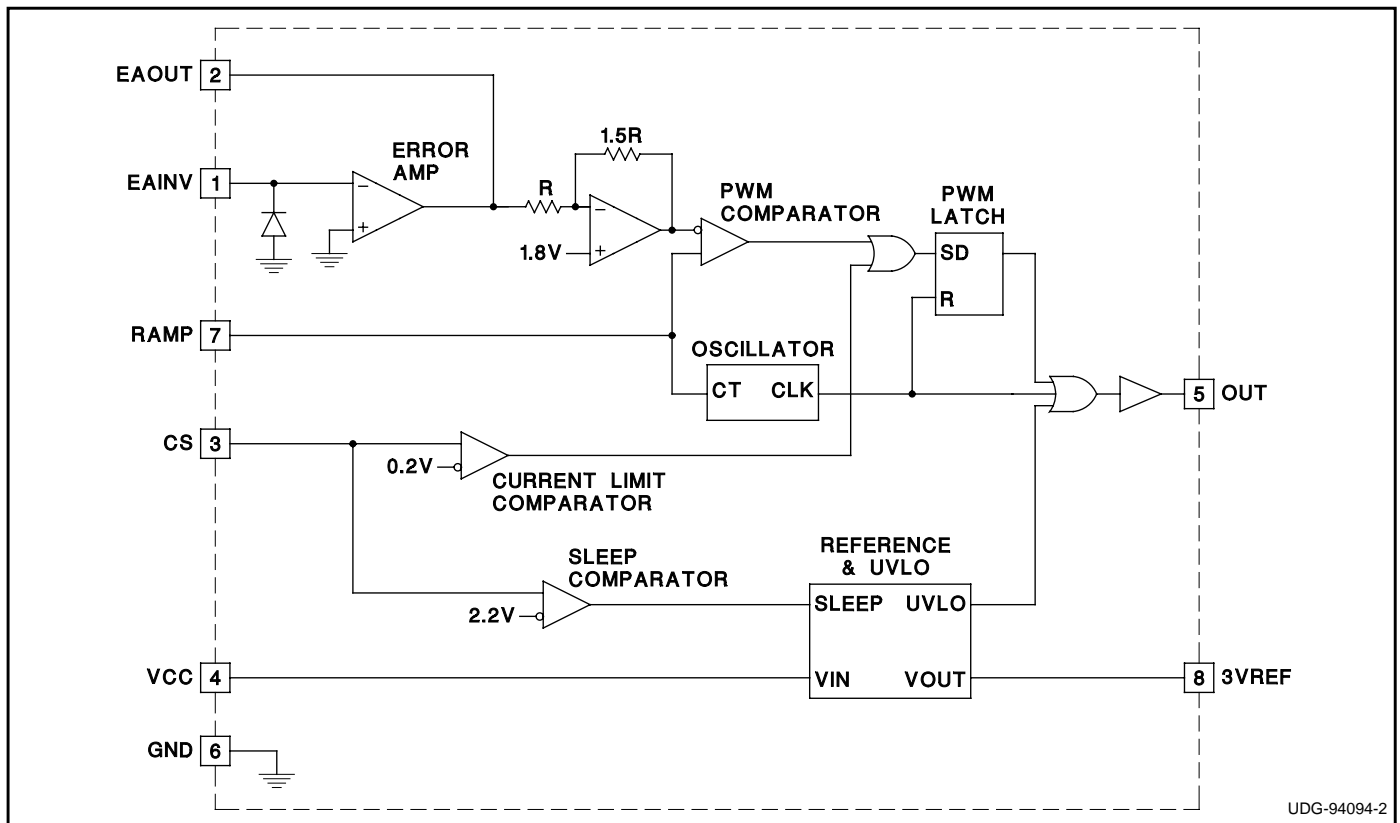
FEATURES

- Simple Single Inductor Flyback PWM for Negative Voltage Generation
- Drives External PMOS Switch
- Contains UVLO Circuit
- Includes Pulse-by-Pulse Current Limit
- Low 50 μ A Sleep Mode Current

DESCRIPTION

The UC3572 is a negative output flyback pulse width modulator which converts a positive input voltage to a regulated negative output voltage. The chip is optimized for use in a single inductor negative flyback switching converter employing an external PMOS switch. The block diagram consists of a precision reference, an error amplifier configured for voltage mode operation, an oscillator, a PWM comparator with latching logic, and a 0.5A peak gate driver. The UC3572 includes an undervoltage lockout circuit to insure sufficient input supply voltage is present before any switching activity can occur, and a pulse-by-pulse current limit. Output current can be sensed and limited to a user determined maximum value. The UVLO circuit turns the chip off when the input voltage is below the UVLO threshold. In addition, a sleep comparator interfaces to the UVLO circuit to turn the chip off. This reduces the supply current to only 50 μ A, making the UC3572 ideal for battery powered applications.

BLOCK DIAGRAM



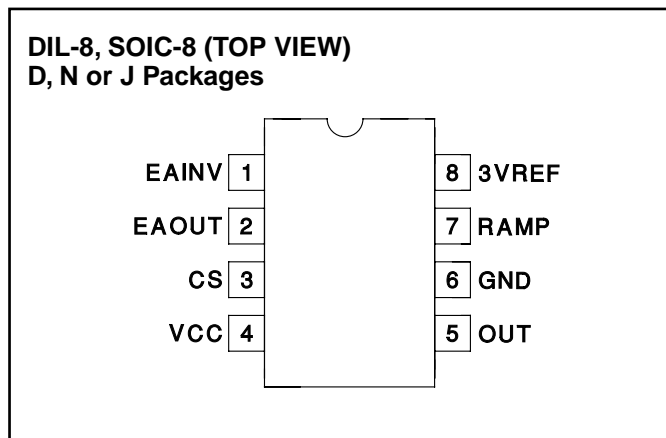
UDG-94094-2

ABSOLUTE MAXIMUM RATINGS

VCC	35V
EAINV	-0.6V to VCC
IEAOUT	25mA
RAMP	-0.3V to 4V
CS	-0.3V to VCC
Iout	-0.7A to 0.7A
I3VREF	-15mA
Storage Temperature	-65°C to +150°C
Junction Temperature	-65°C to +150°C
Lead Temperature (Soldering, 10 sec.)	+300°C

Currents are positive into, negative out of the specified terminal. Consult Packaging Section of Databook for thermal limitations and considerations of packages.

CONNECTION DIAGRAM



ORDERING INFORMATION

	TEMPERATURE RANGE	PACKAGE
UC1572	-55°C to +125°C	J
UC2572	-40°C to +85°C	D, N or J
UC3572	0°C to +70°C	D or N

ELECTRICAL CHARACTERISTICS: Unless otherwise specified, VCC = 5V, CT = 680pF, TA = TJ.

PARAMETER	TEST CONDITIONS	MIN	TYP	MAX	UNITS
Reference Section					
3VREF		2.94	3	3.06	V
Line Regulation	VCC = 4.75 to 30V		1	10	mV
Load Regulation	I3VREF = 0V to -5mA		1	10	mV
Oscillator Section					
Frequency	VCC = 5V to 30V	85	100	115	kHz
Error Amp Section					
EAINV	EAOUT = 2V IEANV = -1mA	-10	0	10	mV
IEAINV	EAOUT = 2V		-0.2	-1.0	μA
AVOL	EAOUT = 0.5V to 3V	65	90		dB
EAOUT High	EAINV = -100mV	3.6	4	4.4	V
EAOUT Low	EAINV = 100mV		0.1	0.2	V
IEAOUT	EAINV = -100mV, EAOUT = 2V EAINV = 100mV, EAOUT = 2V	-350	-500		μA
Unity Gain Bandwidth	TJ = 25°C, F = 10kHz	0.6	1		MHz
Current Sense Comparator Section					
Threshold		0.185	0.205	0.225	V
Input Bias Current	CS = 0		-0.4	-1	μA
CS Propagation Delay			300		nS

ELECTRICAL CHARACTERISTICS: Unless otherwise specified, VCC = 5V, CT = 680pF, TA = TJ.

PARAMETER	TEST CONDITIONS	MIN	TYP	MAX	UNITS
Gate Drive Output Section					
OUT High Saturation	IOUT = 0		0	0.3	V
	IOUT = -10mA		0.7	1.5	V
	IOUT = -100mA		1.5	2.5	V
OUT Low Saturation	IOUT = 10mA		0.1	0.4	V
	IOUT = 100mA		1.5	2.2	V
Rise Time	TJ = 25°C, CLOAD = 1nF + 3.3 Ohms		30	80	nS
Fall Time	TJ = 25°C, CLOAD = 1nF + 3.3 Ohms		30	80	nS
Pulse Width Modulator Section					
Maximum Duty Cycle	EAINV = +100mV, VCC = 5V to 30V		92	96	%
Minimum Duty Cycle	EAINV = -100mV, VCC = 5V to 30V			0	%
Modulator Gain	EAOUT = 1.5V to 2.5V	45	55	65	%/V
Undervoltage Lockout Section					
Start Threshold		3.5	4.2	4.5	V
Hysteresis		100	200	300	mV
Sleep Mode Section					
Threshold		1.8	2.2	2.6	V
Supply Current Section					
IVCC	VCC = 5V, 30V		9	15	mA
	VCC = 30, CS = 3V		50	150	μA

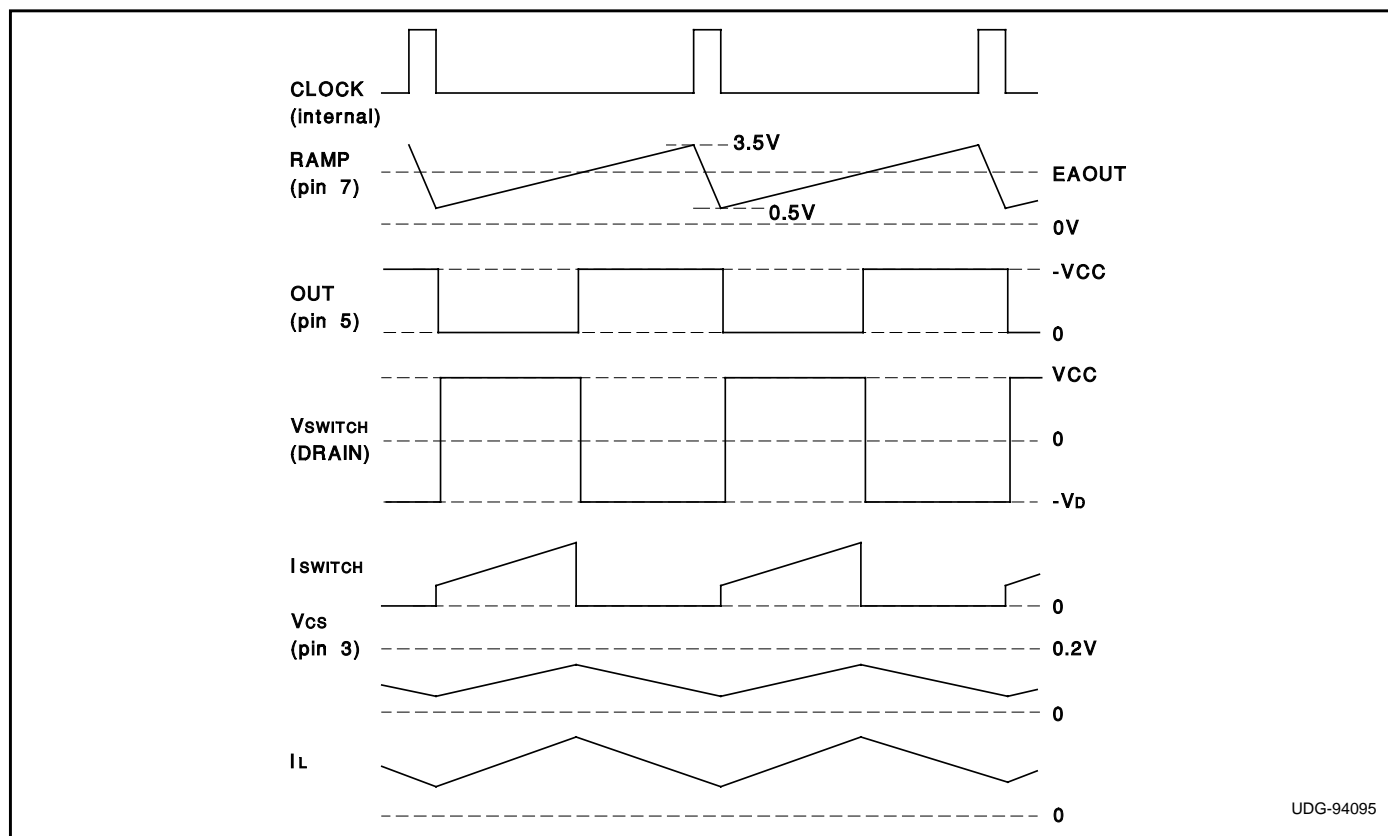


Figure 1. Typical waveforms.

PIN DESCRIPTIONS

3VREF: Precision 3V reference. Bypass with 100nF capacitor to GND.

CS: Current limit sense pin. Connect to a ground referenced current sense resistor in series with the flyback inductor. OUT will be held high (PMOS switch off) if CS exceeds 0.2V.

EAINV: Inverting input to error amplifier. Summing junction for 3VREF and VOUT sense. The non-inverting input of the error amplifier is internally connected to GND. This pin will source a maximum of 1mA.

EAOUT: Output of error amplifier. Use EAOUT and EAINV for loop compensation components.

GND: Circuit Ground.

OUT: Gate drive for external PMOS switch connected between VCC and the flyback inductor. OUT drives the gate of the PMOS switch between VCC and GND.

RAMP: Oscillator and ramp for pulse width modulator. Frequency is set by a capacitor to GND by the equation

$$F = \frac{1}{15k \cdot C_{RAMP}}$$

Recommended operating frequency range is 10kHz to 200kHz.

VCC: Input voltage supply to chip. Range is 4.75 to 30V. Bypass with a 1μF capacitor.

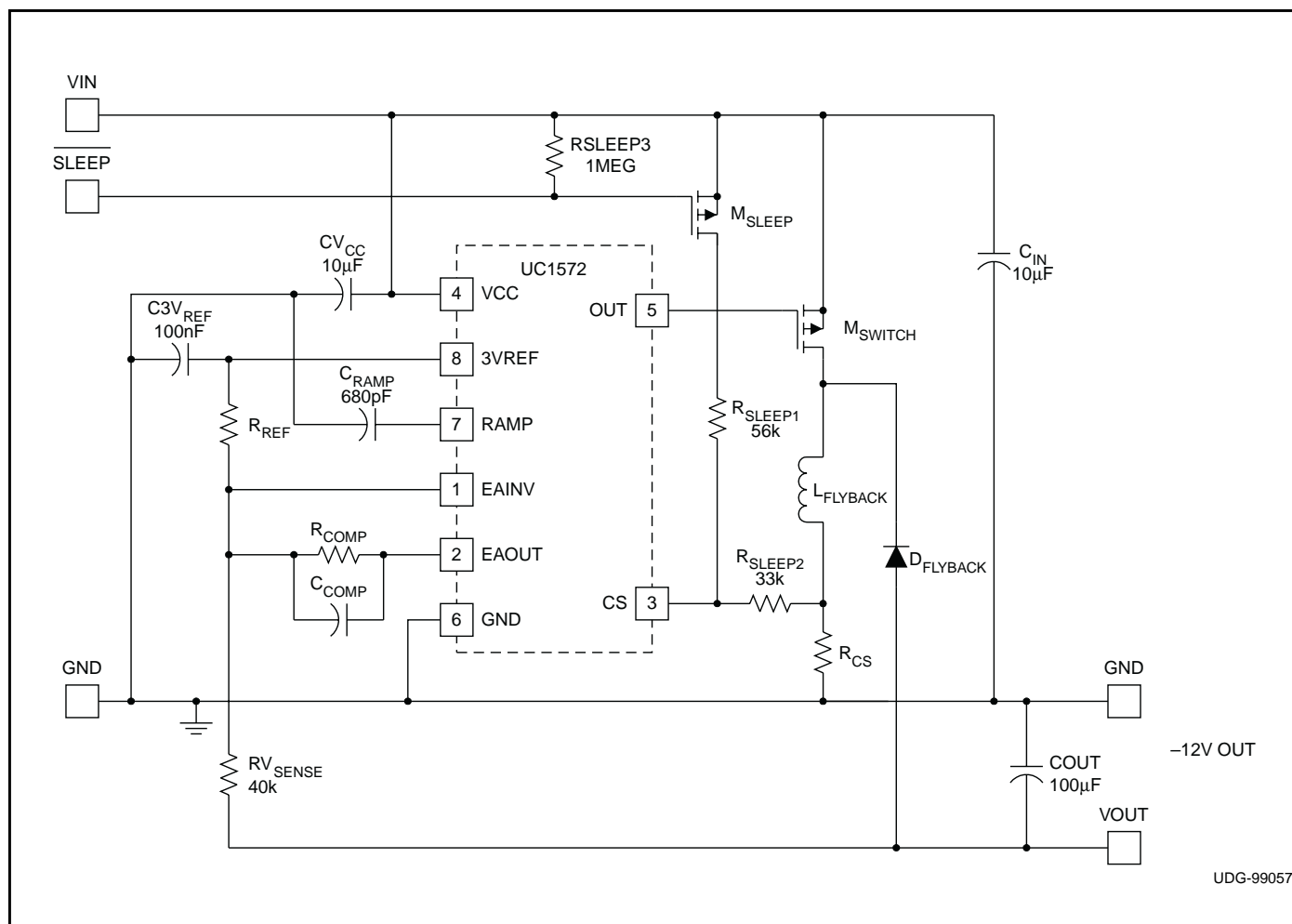


Figure 2. Typical application: +5V to -12V flyback converter.

PACKAGING INFORMATION

Orderable Device	Status (1)	Package Type	Package Drawing	Pins	Package Qty	Eco Plan (2)	Lead finish/ Ball material (6)	MSL Peak Temp (3)	Op Temp (°C)	Device Marking (4/5)	Samples
UC2572D	ACTIVE	SOIC	D	8	75	RoHS & Green	NIPDAU	Level-1-260C-UNLIM	-40 to 85	UC2572D	Samples
UC2572DG4	ACTIVE	SOIC	D	8	75	RoHS & Green	NIPDAU	Level-1-260C-UNLIM	-40 to 85	UC2572D	Samples
UC2572DTR	ACTIVE	SOIC	D	8	2500	RoHS & Green	NIPDAU	Level-1-260C-UNLIM	-40 to 85	UC2572D	Samples
UC3572D	ACTIVE	SOIC	D	8	75	RoHS & Green	NIPDAU	Level-1-260C-UNLIM	0 to 70	UC3572D	Samples
UC3572DG4	ACTIVE	SOIC	D	8	75	RoHS & Green	NIPDAU	Level-1-260C-UNLIM	0 to 70	UC3572D	Samples
UC3572DTR	ACTIVE	SOIC	D	8	2500	RoHS & Green	NIPDAU	Level-1-260C-UNLIM	0 to 70	UC3572D	Samples

(1) The marketing status values are defined as follows:

ACTIVE: Product device recommended for new designs.

LIFEBUY: TI has announced that the device will be discontinued, and a lifetime-buy period is in effect.

NRND: Not recommended for new designs. Device is in production to support existing customers, but TI does not recommend using this part in a new design.

PREVIEW: Device has been announced but is not in production. Samples may or may not be available.

OBSOLETE: TI has discontinued the production of the device.

(2) **RoHS:** TI defines "RoHS" to mean semiconductor products that are compliant with the current EU RoHS requirements for all 10 RoHS substances, including the requirement that RoHS substance do not exceed 0.1% by weight in homogeneous materials. Where designed to be soldered at high temperatures, "RoHS" products are suitable for use in specified lead-free processes. TI may reference these types of products as "Pb-Free".

RoHS Exempt: TI defines "RoHS Exempt" to mean products that contain lead but are compliant with EU RoHS pursuant to a specific EU RoHS exemption.

Green: TI defines "Green" to mean the content of Chlorine (Cl) and Bromine (Br) based flame retardants meet JS709B low halogen requirements of <=1000ppm threshold. Antimony trioxide based flame retardants must also meet the <=1000ppm threshold requirement.

(3) MSL, Peak Temp. - The Moisture Sensitivity Level rating according to the JEDEC industry standard classifications, and peak solder temperature.

(4) There may be additional marking, which relates to the logo, the lot trace code information, or the environmental category on the device.

(5) Multiple Device Markings will be inside parentheses. Only one Device Marking contained in parentheses and separated by a "~" will appear on a device. If a line is indented then it is a continuation of the previous line and the two combined represent the entire Device Marking for that device.

(6) Lead finish/Ball material - Orderable Devices may have multiple material finish options. Finish options are separated by a vertical ruled line. Lead finish/Ball material values may wrap to two lines if the finish value exceeds the maximum column width.

Important Information and Disclaimer: The information provided on this page represents TI's knowledge and belief as of the date that it is provided. TI bases its knowledge and belief on information provided by third parties, and makes no representation or warranty as to the accuracy of such information. Efforts are underway to better integrate information from third parties. TI has taken and continues to take reasonable steps to provide representative and accurate information but may not have conducted destructive testing or chemical analysis on incoming materials and chemicals. TI and TI suppliers consider certain information to be proprietary, and thus CAS numbers and other limited information may not be available for release.

In no event shall TI's liability arising out of such information exceed the total purchase price of the TI part(s) at issue in this document sold by TI to Customer on an annual basis.

TAPE AND REEL INFORMATION



QUADRANT ASSIGNMENTS FOR PIN 1 ORIENTATION IN TAPE



*All dimensions are nominal

Device	Package Type	Package Drawing	Pins	SPQ	Reel Diameter (mm)	Reel Width W1 (mm)	A0 (mm)	B0 (mm)	K0 (mm)	P1 (mm)	W (mm)	Pin1 Quadrant
UC2572DTR	SOIC	D	8	2500	330.0	12.4	6.4	5.2	2.1	8.0	12.0	Q1
UC3572DTR	SOIC	D	8	2500	330.0	12.4	6.4	5.2	2.1	8.0	12.0	Q1

TAPE AND REEL BOX DIMENSIONS



*All dimensions are nominal

Device	Package Type	Package Drawing	Pins	SPQ	Length (mm)	Width (mm)	Height (mm)
UC2572DTR	SOIC	D	8	2500	340.5	338.1	20.6
UC3572DTR	SOIC	D	8	2500	340.5	338.1	20.6

IMPORTANT NOTICE AND DISCLAIMER

TI PROVIDES TECHNICAL AND RELIABILITY DATA (INCLUDING DATASHEETS), DESIGN RESOURCES (INCLUDING REFERENCE DESIGNS), APPLICATION OR OTHER DESIGN ADVICE, WEB TOOLS, SAFETY INFORMATION, AND OTHER RESOURCES "AS IS" AND WITH ALL FAULTS, AND DISCLAIMS ALL WARRANTIES, EXPRESS AND IMPLIED, INCLUDING WITHOUT LIMITATION ANY IMPLIED WARRANTIES OF MERCHANTABILITY, FITNESS FOR A PARTICULAR PURPOSE OR NON-INFRINGEMENT OF THIRD PARTY INTELLECTUAL PROPERTY RIGHTS.

These resources are intended for skilled developers designing with TI products. You are solely responsible for (1) selecting the appropriate TI products for your application, (2) designing, validating and testing your application, and (3) ensuring your application meets applicable standards, and any other safety, security, or other requirements. These resources are subject to change without notice. TI grants you permission to use these resources only for development of an application that uses the TI products described in the resource. Other reproduction and display of these resources is prohibited. No license is granted to any other TI intellectual property right or to any third party intellectual property right. TI disclaims responsibility for, and you will fully indemnify TI and its representatives against, any claims, damages, costs, losses, and liabilities arising out of your use of these resources.

TI's products are provided subject to TI's Terms of Sale (<https://www.ti.com/legal/termsofsale.html>) or other applicable terms available either on [ti.com](https://www.ti.com) or provided in conjunction with such TI products. TI's provision of these resources does not expand or otherwise alter TI's applicable warranties or warranty disclaimers for TI products.

Mailing Address: Texas Instruments, Post Office Box 655303, Dallas, Texas 75265
Copyright © 2021, Texas Instruments Incorporated